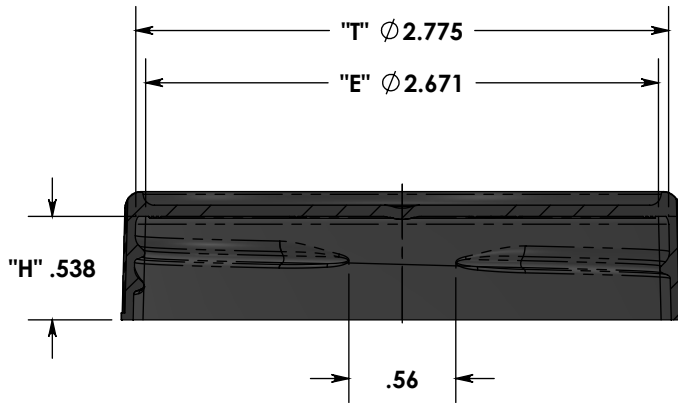



**HATCHED AREA & RIBS
LITE STIPPLE FINISH
UNSPECIFIED AREAS FINISHED
SPI-B2 POLISH**



SECTION G-G

**THREAD DATA:
SP'L 70mm 450 FINISH
.167 PITCH (6 T.P.I.)
1.2 TURNS OF THD.**

**ADVERTISING DRAWING
NOT FOR QUALITY CONTROL**

PROPRIETARY AND CONFIDENTIAL <small>THE INFORMATION CONTAINED IN THIS DRAWING IS THE SOLE PROPERTY OF COMET TOOL Co. ANY REPRODUCTION IN PART OR AS A WHOLE WITHOUT THE WRITTEN PERMISSION OF COMET TOOL Co. IS PROHIBITED.</small>		 COMET TOOL COMPANY 651 LAMBS RD. PITMAN, N.J 08071-2042			
MATERIAL POLYPROPYLENE		TITLE: SPECIAL 70mm 450 INTERRUPTED THREAD CLOSURE MEDIUM RIBBED WITH MATTE FINISH			
DRAWN BY JJM	PLASTIC PART NO. 1340-0029	PLASTIC PART REV. D	DWG. NO. 1340-0029-EXP	SIZE A	REV D
				DATE 11/11/10	SCALE: 1:1 SHEET 2 OF 2