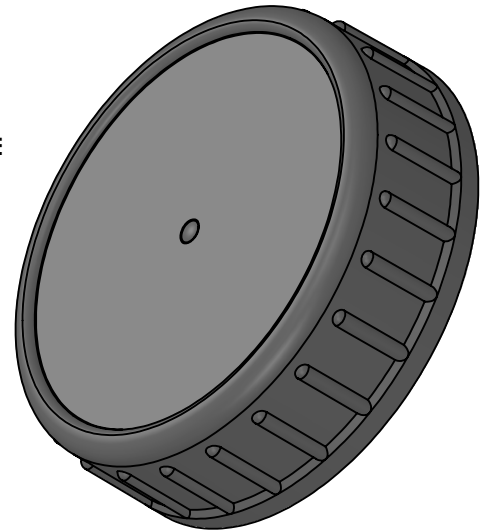
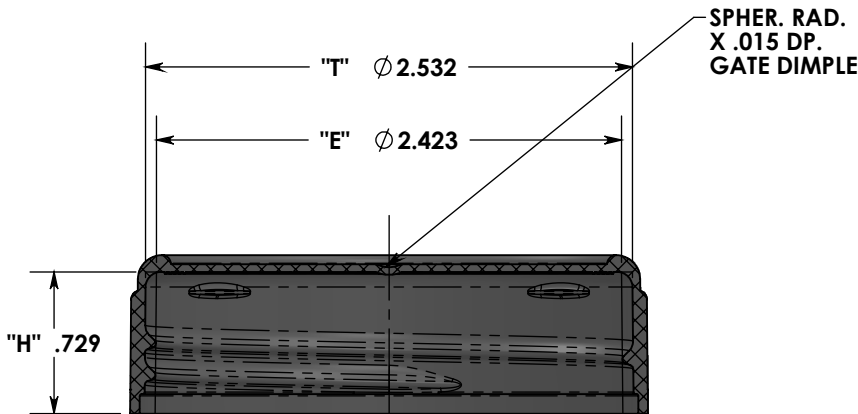



UNSPECIFIED AREAS FINISHED
SPI-B2 POLISH



SECTION D-D

THREAD DATA:
SP'L 63mm FINISH
.167 PITCH (6 T.P.I.)
1 1/4 TURNS OF THD.

**ADVERTISING DRAWING
 NOT FOR QUALITY CONTROL**

PROPRIETARY AND CONFIDENTIAL <small>THE INFORMATION CONTAINED IN THIS DRAWING IS THE SOLE PROPERTY OF COMET TOOL Co. ANY REPRODUCTION IN PART OR AS A WHOLE WITHOUT THE WRITTEN PERMISSION OF COMET TOOL Co. IS PROHIBITED.</small>		 COMET TOOL COMPANY 651 LAMBS RD. PITMAN, N.J 08071-2042	
MATERIAL POLYPROPYLENE		TITLE: SPECIAL 63mm CT CLOSURE (OIL CAP)	
DRAWN BY JJM	PLASTIC PART NO. 1340-0008	PLASTIC PART REV. E	DWG. NO. 1340-0008-EXP A
		SIZE F	REV F
		DATE 10/27/10	SCALE: 1:1 SHEET 2 OF 2