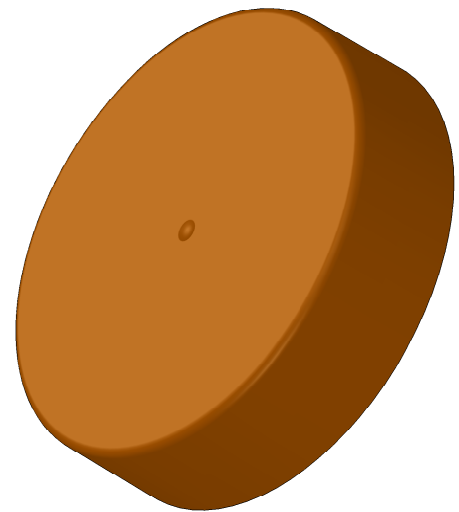
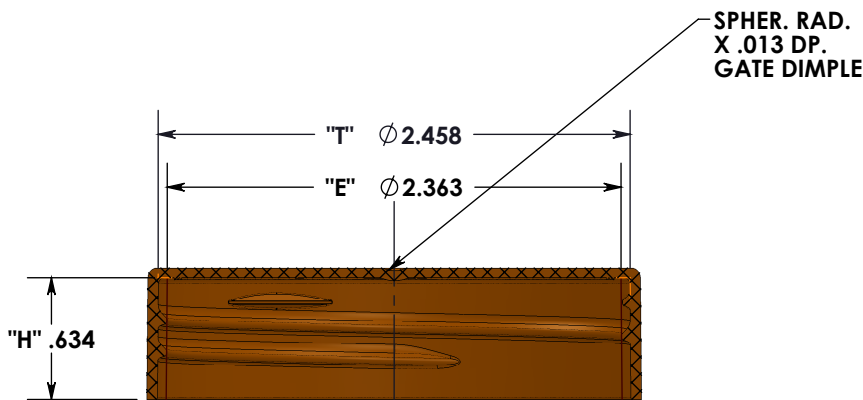


**OUTSIDE SURFACES SPI "A-3" OR BETTER
INSIDE SURFACES SPI "B-3" OR BETTER.**



SECTION D-D

**THREAD DATA:
SP'L 63-445 FINISH
.167 PITCH (6 T.P.I.)
1 1/4 TURNS OF THD.**

**ADVERTISING DRAWING
NOT FOR QUALITY CONTROL**

PROPRIETARY AND CONFIDENTIAL

THE INFORMATION CONTAINED IN THIS DRAWING IS THE SOLE PROPERTY OF COMET TOOL Co. ANY REPRODUCTION IN PART OR AS A WHOLE WITHOUT THE WRITTEN PERMISSION OF COMET TOOL Co. IS PROHIBITED.

MATERIAL

POLYPROPYLENE

DRAWN BY

JJM



COMET TOOL COMPANY

651 LAMBS RD., PITMAN, N.J 08071-2042

**SPECIAL 63-445 CT CLOSURE
SMOOTH FINISH**

PLASTIC PART NO.	PLASTIC PART REV.	DWG. NO.	SIZE	REV	DATE
1340-0048	B	1340-0048-EXP	A	B	11/3/10

SCALE: 1:1

SHEET 2 OF 2