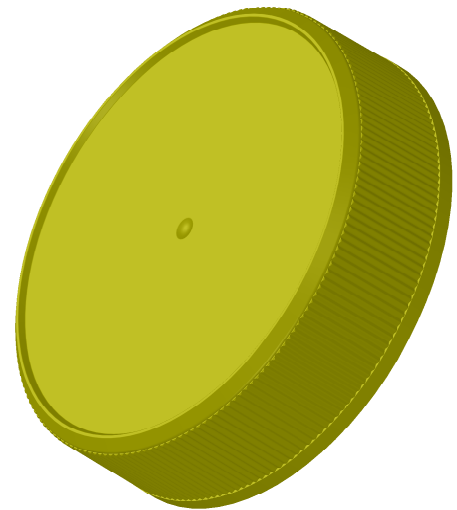
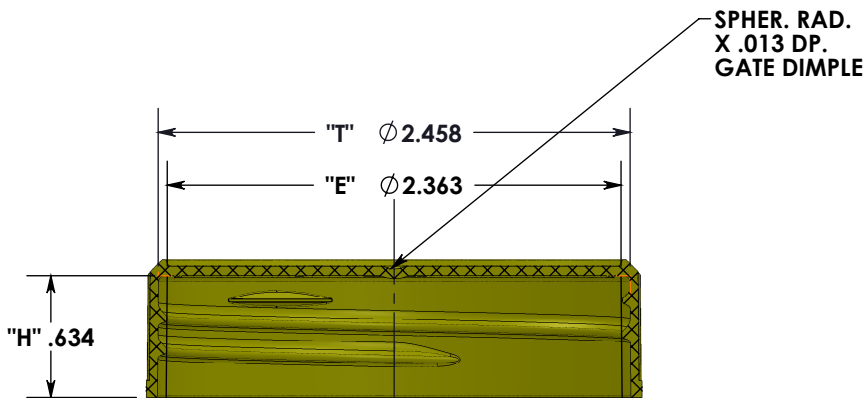


**HATCHED AREA & RIBS
LITE STIPPLE FINISH
UNSPECIFIED AREAS FINISHED
SPI-B2 POLISH**



SECTION D-D

**THREAD DATA:
SP'L 63-445 FINISH
.167 PITCH (6 T.P.I.)
1 1/4 TURNS OF THD.
ADVERTISING DRAWING
NOT FOR QUALITY CONTROL**

PROPRIETARY AND CONFIDENTIAL

THE INFORMATION CONTAINED IN THIS DRAWING IS THE SOLE PROPERTY OF COMET TOOL Co. ANY REPRODUCTION IN PART OR AS A WHOLE WITHOUT THE WRITTEN PERMISSION OF COMET TOOL Co. IS PROHIBITED.

MATERIAL

POLYPROPYLENE

DRAWN BY

JJM



COMET TOOL COMPANY

651 LAMBS RD., PITMAN, N.J 08071-2042

**SPECIAL 63-445 CT CLOSURE
SERRATED WITH MATTE FINISH**

PLASTIC PART NO.	PLASTIC PART REV.	DWG. NO.	SIZE	REV	DATE
1340-0058	B	1340-0058-EXP	A	B	10/27/10
SCALE: 1:1					SHEET 2 OF 2