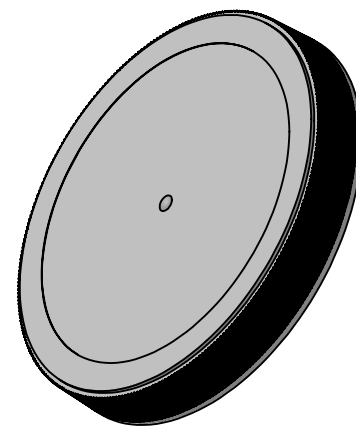
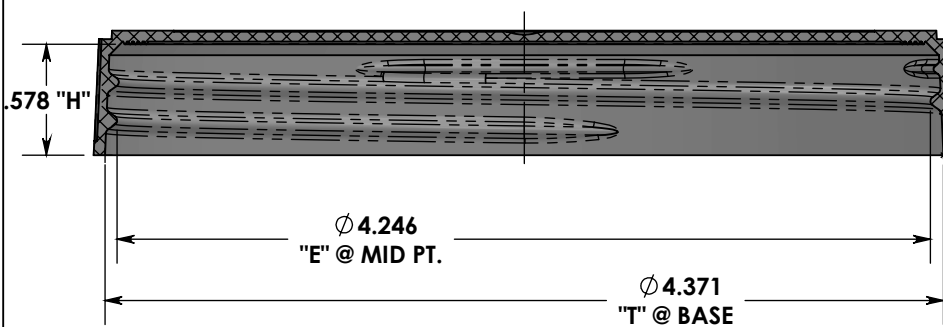



**HATCHED AREA & RIBS
LITE STIPPLE FINISH
UNSPECIFIED OUTSIDE AREAS FINISHED
SPI-A2 POLISH
INSIDE AREAS POLISHED SPI D-2 OR BETTER.**



SECTION D-D

**THREAD DATA:
SPECIAL 110-400 FINISH
.200 PITCH (5 TPI)
APPROX 1-1/4 TURNS**

**ADVERTISING DRAWING
NOT FOR QUALITY CONTROL**

PROPRIETARY AND CONFIDENTIAL <small>THE INFORMATION CONTAINED IN THIS DRAWING IS THE SOLE PROPERTY OF COMET TOOL Co. ANY REPRODUCTION IN PART OR AS A WHOLE WITHOUT THE WRITTEN PERMISSION OF COMET TOOL Co. IS PROHIBITED.</small>		 COMET TOOL COMPANY 651 LAMBS RD. PITMAN, N.J 08071-2042	
MATERIAL POLYPROPYLENE		TITLE: SPECIAL 110-400 CT CLOSURE FINE SERRATED WITH MATTE FINISH	
DRAWN BY JJM	PLASTIC PART NO. 1340-0007	PLASTIC PART REV. A	DWG. NO. 1340-0007
	SIZE A	REV A	DATE 11/4/10
SCALE: 1:1			SHEET 2 OF 2