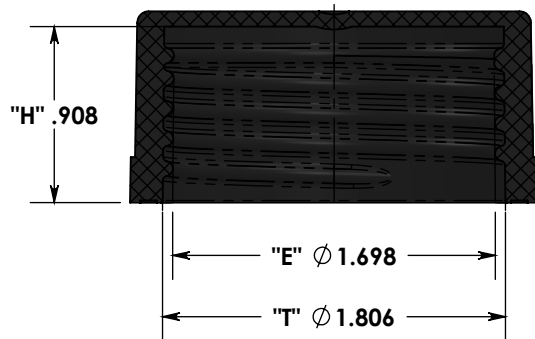
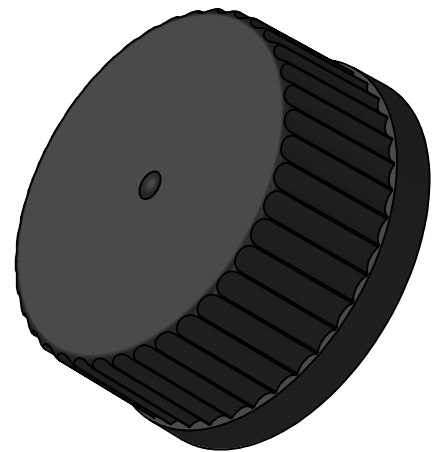


**OUTSIDE SURFACES SPI "A-3" OR BETTER
INSIDE SURFACES SPI "B-3" OR BETTER.**




SECTION F-F



**THREAD DATA:
GL-45 x 4 FINISH
.157 PITCH (4mm)
4 TURNS OF THD.**

**ADVERTISING DRAWING
NOT FOR QUALITY CONTROL**

PROPRIETARY AND CONFIDENTIAL <small>THE INFORMATION CONTAINED IN THIS DRAWING IS THE SOLE PROPERTY OF COMET TOOL Co. ANY REPRODUCTION IN PART OR AS A WHOLE WITHOUT THE WRITTEN PERMISSION OF COMET TOOL Co. IS PROHIBITED.</small>		 COMET TOOL COMPANY 651 LAMBS RD. PITMAN, N.J 08071-2042	
MATERIAL POLYPROPYLENE		GL-45 CLOSURE WITHOUT SEAL	
PLASTIC PART NO. 1340-0110	PLASTIC PART REV. A	DWG. NO. 1340-0110-EXP	SIZE A
DRAWN BY JJM	REV A	DATE 11/18/10	SCALE: 1:1 SHEET 2 OF 2