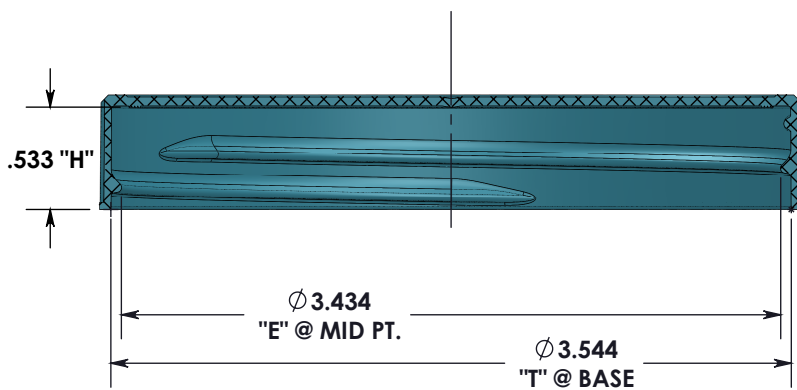
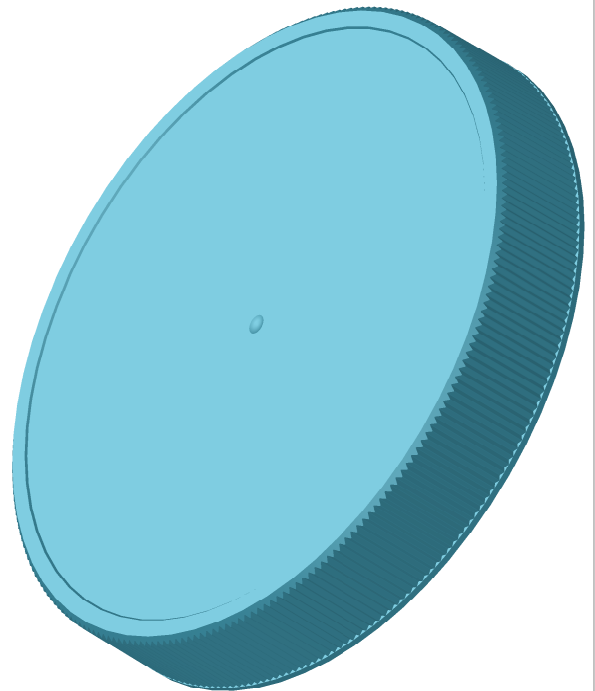


**HATCHED AREA & RIBS  
LITE STIPPLE FINISH  
UNSPECIFIED AREAS FINISHED  
SPI-B2 POLISH**



**SECTION D-D**



**THREAD DATA:  
89-400 FINISH  
.200 PITCH (5 TPI)  
APPROX 1-1/8 TURNS**

**ADVERTISING DRAWING  
NOT FOR QUALITY CONTROL**

PROPRIETARY AND CONFIDENTIAL

THE INFORMATION CONTAINED IN THIS DRAWING IS THE SOLE PROPERTY OF COMET TOOL Co. ANY REPRODUCTION IN PART OR AS A WHOLE WITHOUT THE WRITTEN PERMISSION OF COMET TOOL Co. IS PROHIBITED.

MATERIAL

POLYPROPYLENE

DRAWN BY

JJM



**COMET TOOL COMPANY**

651 LAMBS RD. PITMAN, N.J 08071-2042

**89-400 CT CLOSURE**

**FINE SERRATED W/CHAMFER & MATTE FINISH**

PLASTIC PART NO.	PLASTIC PART REV.	DWG. NO.	SIZE	REV	DATE
1340-0012	*	1340-0012-EXP	A		9/16/10

SCALE: 1:1

SHEET 2 OF 2