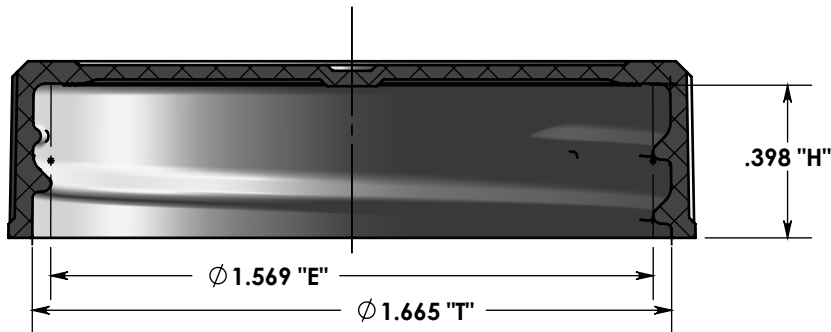


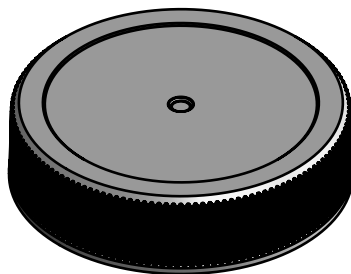
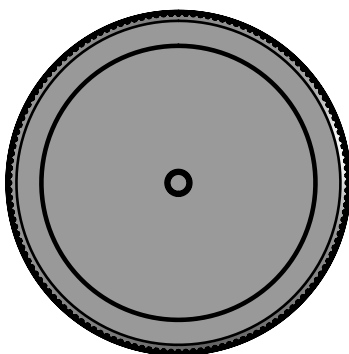
HATCHED AREA & RIBS
 LITE STIPPLE FINISH
 UNSPECIFIED AREAS FINISHED
 SPI-B2 POLISH



SECTION D-D

ADVERTISING DRAWING
 NOT FOR QUALITY CONTROL

THREAD DATA:
 43-400 FINISH
 .167 PITCH (6 T.P.I.)
 1 1/8 TURNS OF THD.



PROPRIETARY AND CONFIDENTIAL
 THE INFORMATION CONTAINED IN THIS DRAWING IS THE SOLE PROPERTY OF COMET TOOL Co. ANY REPRODUCTION IN PART OR AS A WHOLE WITHOUT THE WRITTEN PERMISSION OF COMET TOOL Co. IS PROHIBITED.
 MATERIAL
POLYPROPYLENE
 DRAWN BY
JJM

		COMET TOOL COMPANY 651 LAMBS RD. PITMAN, N.J 08071-2042	
TITLE: 43-400 CT CLOSURE MATTE TOP CHAMFERED EDGE SERRATED WALL			
PLASTIC PART NO. 1340-000A	PLASTIC PART REV. *	DWG. NO. 1340-000A	SIZE A
		REV *	DATE 12/15/11
			SCALE: 2:1
			SHEET 2 OF 2