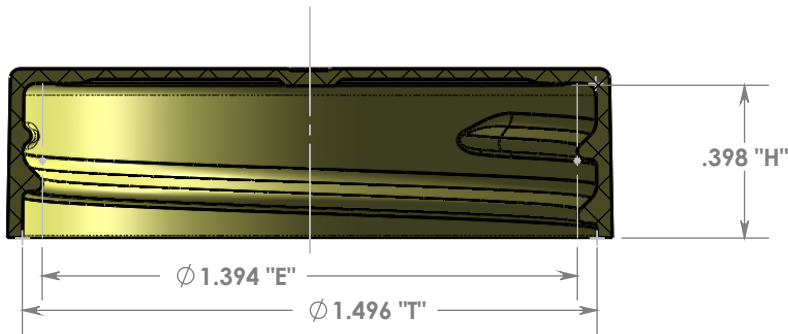
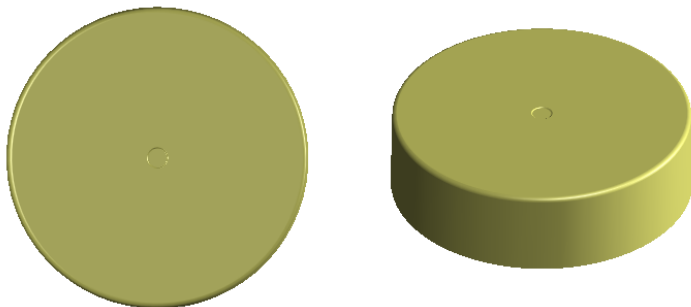


**EXTERIOR SURFACES FINISHED SPI-B1 POLISH.  
UNSPECIFIED AREAS FINISHED SPI-B2**




**SECTION D-D**



**THREAD DATA:  
38-400 FINISH  
.167 PITCH (6 T.P.I.)  
1 1/8 TURNS OF THD.**



<b>PROPRIETARY AND CONFIDENTIAL</b> <small>THE INFORMATION CONTAINED IN THIS DRAWING IS THE SOLE PROPERTY OF COMET TOOL Co. ANY REPRODUCTION IN PART OR AS A WHOLE WITHOUT THE WRITTEN PERMISSION OF COMET TOOL Co. IS PROHIBITED.</small>		 <b>COMET TOOL COMPANY</b> 651 LAMBS RD. PITMAN, N.J 08071-2042	
<b>MATERIAL</b> <b>POLYPROPYLENE</b>		<b>TITLE:</b> <b>38-400 CT CLOSURE</b> <b>SMOOTH TOP WITH RADIUS AND SMOOTH WALL</b>	
<b>DRAWN BY</b> <b>JJM</b>	<b>PLASTIC PART NO.</b> <b>1340-0134</b>	<b>PLASTIC PART REV.</b> <b>*</b>	<b>DWG. NO.</b> <b>1340-0134</b>
		<b>SIZE</b> <b>A</b>	<b>REV</b> <b>*</b>
		<b>DATE</b> <b>2/11/11</b>	
		SCALE: 2:1	SHEET 2 OF 2