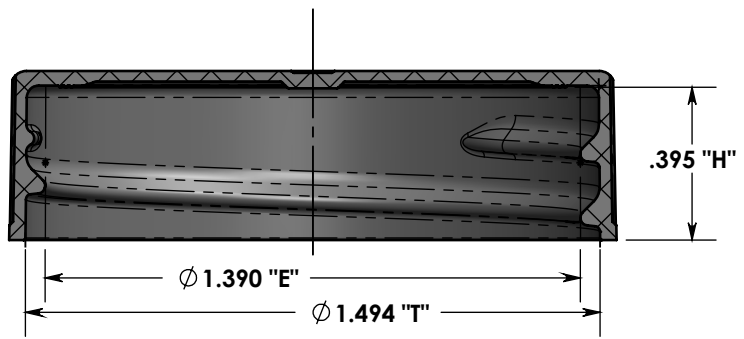
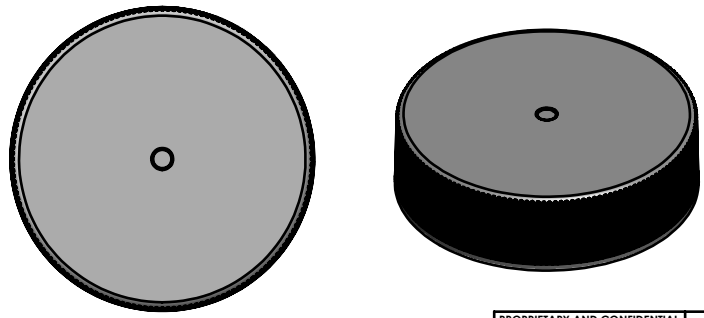


**TOP SURFACE & RIBS TO BE MATTE FINISH
GATE WELL & LOWER BAND FINISHED SPI-B1 POLISH.
UNSPECIFIED INTERIOR AREAS FINISHED SPI-B2**




SECTION D-D

**ADVERTISING DRAWING
NOT FOR QUALITY CONTROL**



**THREAD DATA:
38-400 FINISH
.167 PITCH (6 T.P.I.)
1 1/8 TURNS OF THD.**



| | | | |
|---|-------------------------------|---|------------------|
| PROPRIETARY AND CONFIDENTIAL <small>THE INFORMATION CONTAINED IN THIS DRAWING IS THE SOLE PROPERTY OF COMET TOOL Co. ANY REPRODUCTION IN PART OR AS A WHOLE WITHOUT THE WRITTEN PERMISSION OF COMET TOOL Co. IS PROHIBITED.</small> | |  COMET TOOL COMPANY 651 LAMBS RD. PITMAN, N.J 08071-2042 | |
| MATERIAL POLYPROPYLENE | | TITLE: 38-400 CT CLOSURE MATTE TOP WITH RADIUS AND SERRATIONS | |
| PLASTIC PART NO. 1340-0014 | PLASTIC PART REV. * | DWG. NO. 1340-0014 | SIZE A |
| DATE 3/31/11 | REV * | SCALE: 2:1 | |
| DRAWN BY JJM | | SHEET 2 OF 2 | |