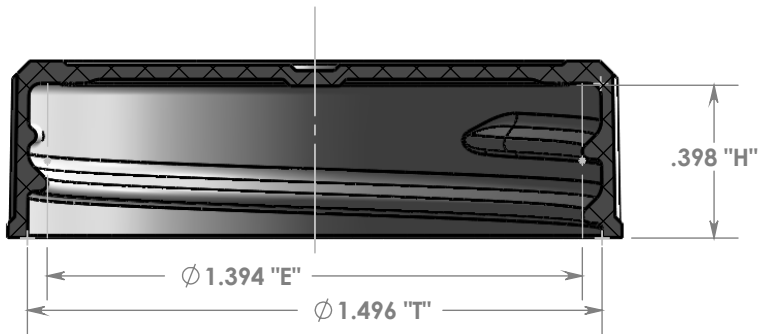
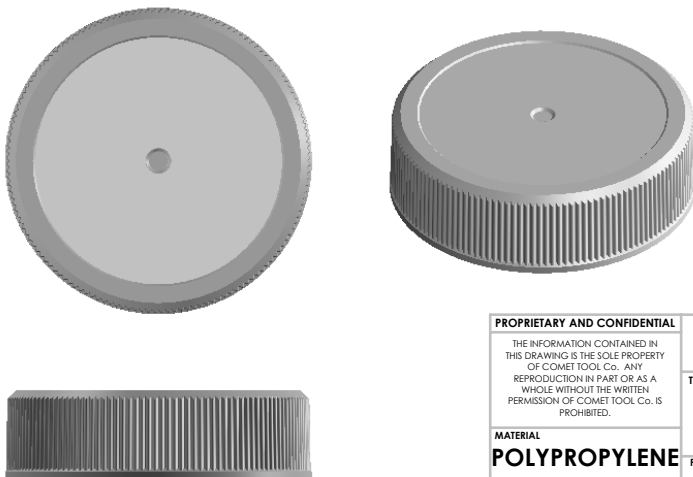


**HATCHED AREA & RIBS  
LITE STIPPLE FINISH  
UNSPECIFIED AREAS FINISHED  
SPI-B2 POLISH**



**SECTION D-D**



**THREAD DATA:  
38-400 FINISH  
.167 PITCH (6 T.P.I.)  
1 1/8 TURNS OF THD.**

**PROPRIETARY AND CONFIDENTIAL**  
THE INFORMATION CONTAINED IN THIS DRAWING IS THE SOLE PROPERTY OF COMET TOOL Co. ANY REPRODUCTION IN PART OR AS A WHOLE WITHOUT THE WRITTEN PERMISSION OF COMET TOOL Co. IS PROHIBITED.



**COMET TOOL COMPANY**

651 LAMBS RD. PITMAN, N.J 08071-2042

TITLE:

**38-400 CT CLOSURE  
MATTE TOP CHAMFERED EDGE SERRATED WALL**

MATERIAL

**POLYPROPYLENE**

DRAWN BY

**JJM**

PLASTIC PART NO.

**1340-0004**

PLASTIC PART REV.

**\***

DWG. NO.

**1340-0004**

SIZE

**A**

REV

**A**

DATE

**11/18/09**

SCALE: 2:1

SHEET 2 OF 2