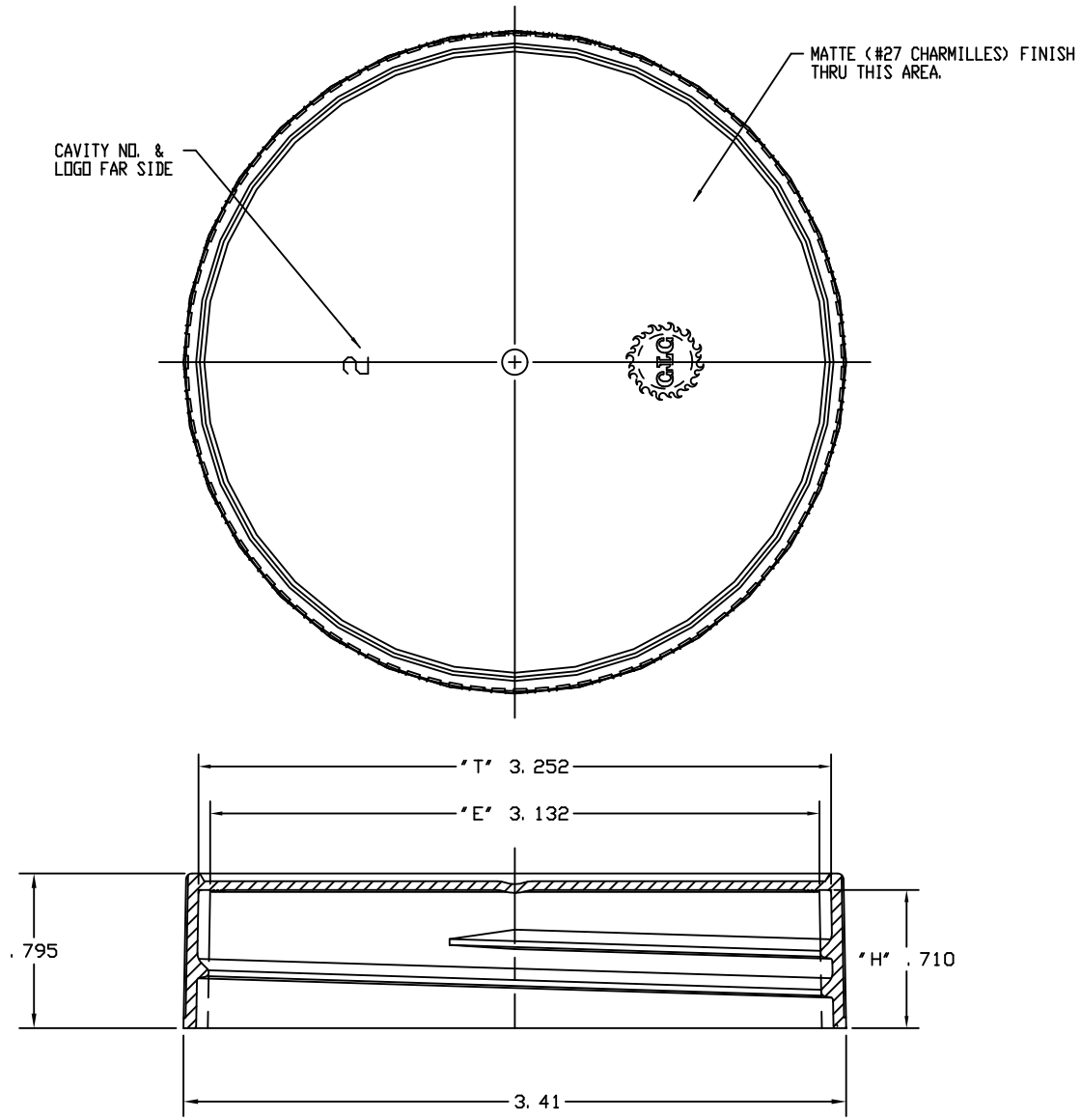



IF IN DOUBT
ASK!

REV.	DATE	DESCRIPTION	BY:



THIS DRAWING IS EXCLUSIVE
PROPERTY OF COMET TOOL
AND NOT TO BE REPRODUCED
WITH OUT CONSENT OF COMET TOOL

THIS IS NOT A
QUALITY CONTROL DRAWING
A 'CTC' CAD DESIGN

 COMET TOOL COMPANY 651 LAMBS ROAD PITMAN, N. J. 08071-2042		TITLE:		DATE:
		83mm CLOSURE		
MATERIAL:	PART NO.	REV.	DESCRIPTION:	
PP	1340-0001		PRODUCT	
DESIGNED BY:	SHRINKAGE:	SCALE:	DRAWING NUMBER:	REV.
LACKEY		1:1	1340-0001-LTD	